

## FEATURES

- Laser welded diaphragm
- Optional electric contacts
- Optional transmitter output
- Filled version

## APPLICATION

- Dairy, Ice cream industries
- Pharmaceutical industries
- Sterilization applications

### Diaphragm Seal



#### STANDARD PARAMETERS

Accuracy	: CL 1.6
Ambient temperature	: -40...+65°C (without dampening liquid)
	: -20...+65°C (with dampening liquid)
Service temperature	: 10...150°C max.
Pressure limits	: Steady pressure up to FS value
Weld joints	: TIG argon arc welding

#### MATERIAL OF CONSTRUCTION

Sensing element	: Diaphragm
Case & Ring material	: AISI 304 SS (Bayonet type)
Diaphragm, Bourdon tube & Shank	: AISI 316L SS (Shank welded directly to case)
Movement mechanism	: Dampened movement, AISI 304 SS
Dial	: Aluminum, black graduation on white background
Pointer	: Micro-zero adjustable, aluminum, black powder coated
Gaskets & filling plug	: Silicon Rubber gasket & Neoprene filling plug
Window	: Plexi glass

#### STANDARD SPECIFICATIONS

Dial size	: DN100
Range	: 0...160 bar [B21], 0...250 bar [B24], 0...400 bar [B27], 0...600 bar [B29]
Mounting pattern	: Direct, Bottom connection
Process connection	: With mounting flange
Seal filling fluid	: Food grade oil
Ingress protection	: IP 65
Execution	: Dampening liquid filled, glycerine

#### STANDARD SPECIFICATIONS : DAMPENING LIQUID FILLED

Window	: Acrylic glass dome
Switch type	: Normally open; Make contact (1NO)
Execution	: Dampening liquid filled, dielectric oil
Electrical termination	: 4 Pin PG13.5 connector

#### TEMPERATURE EFFECT

When temperature of the measuring system deviates from reference temperature (+20°C) max error  $\pm 0.4\%$  / 10K of true scale value.

## REFERENCE

EN 837-1

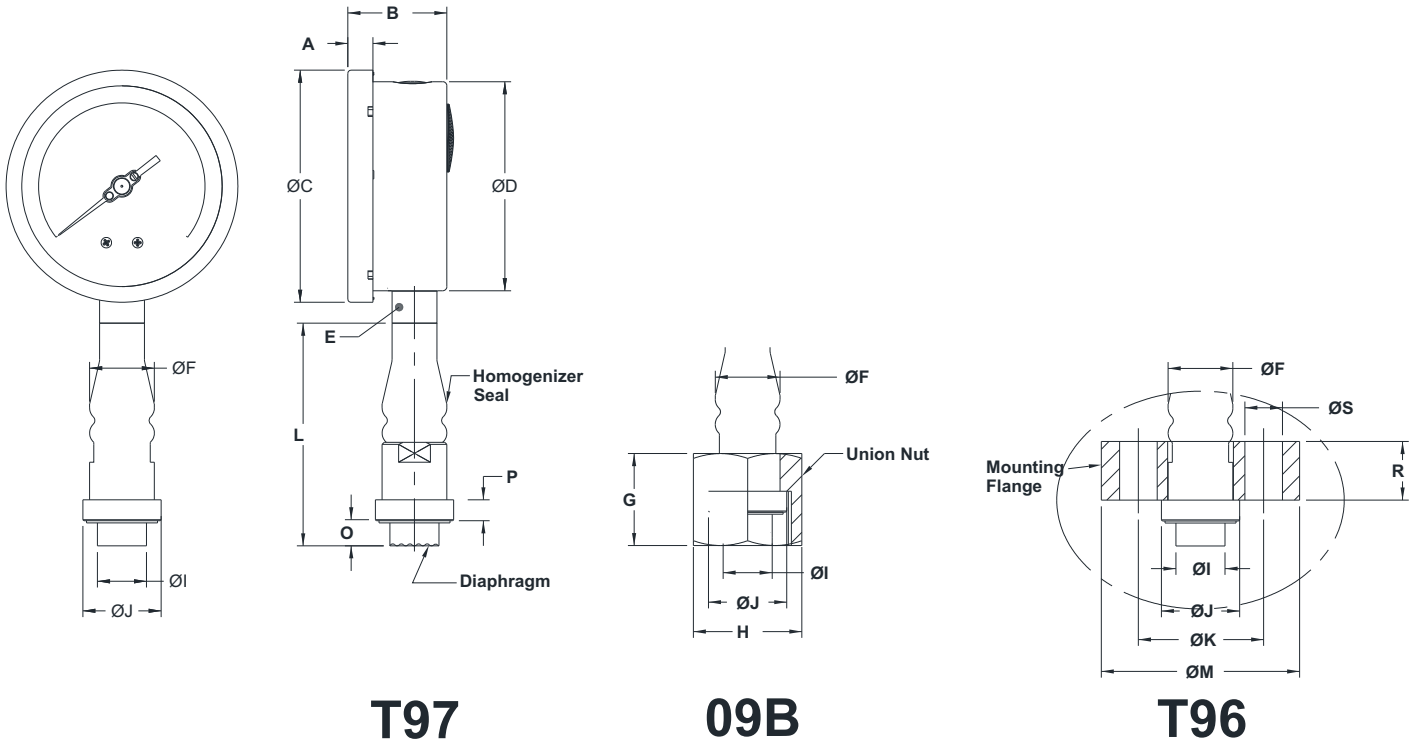
[www.contromat.com](http://www.contromat.com)

info@contromat.com | +972-3-9744044



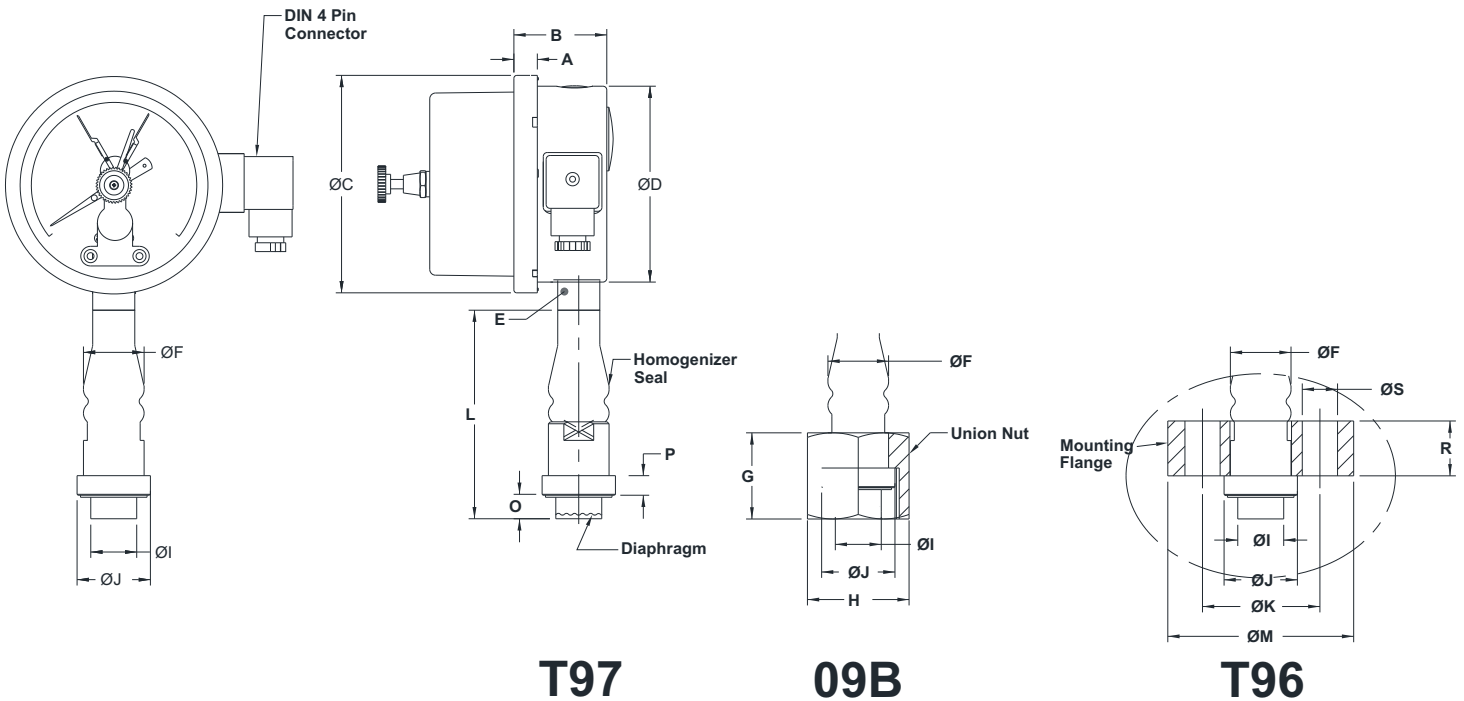
DIMENSIONAL DRAWING

Standard version



DN	A	B	ØC	ØD	E	ØF	G	H	I	J	K	L	M	N	O	P	R	ØS	Weight (Grams)
100	12	48	111	100	SQ.22	31	44	A/F50	23.5	37.5	60	106.5	95	45	11	11	28	18	1295

Electric contact version



All dimensions are in mm.

DN	A	B	ØC	ØD	E	ØF	G	H	I	J	K	L	M	N	O	P	R	ØS	Weight (Grams)
100	12	48	111	100	SQ.22	31	44	A/F50	23.5	37.5	60	106.5	95	45	11	11	28	18	1295

ORDERING CODES

1. DIAL SIZE

**04** 100 mm / 4"  
**25** 25 mm / 2.5"

04

2. RANGE

**XXX** Refer "Range Table"

XXX

3. MOUNTING PATTERN

**B0** Direct, Bottom connection

B0

4. PROCESS CONNECTION

**T96** With mounting flange  
**T97** Without mounting flange  
**09B** 1¼" BSP (F) Union Nut

T96

5. INGRESS PROTECTION

**ER** IP 65  
**ES** IP 66  
**ET** IP 67

ER

6. EXECUTION

**EB** Dry but fillable  
**EG** Dampening liquid filled, glycerine  
**EK** Dampening liquid filled, dielectric oil<sup>2</sup>

EB

7. SWITCH CATEGORY

**RR** Economic contacts  
**RS** Precision contacts  
**RT** ATEX / CE approved contacts

RR

8. ELECTRIC CONTACT

**CS1** Break contact (1NC)  
**CS2** Make contact (1NO)  
**CS3** 2 x Break contact (2NC)  
**CS4** 2 x Make contact (2NO)  
**CS5** 1 Break + 1 Make (1NC+1NO)  
**CS6** 1 Make + 1 Break (1NO+1NC)  
**CD1** Break contact (1NC)  
**CD2** Make contact (1NO)  
**CD3** 2 x Break contact (2NC)  
**CD4** 2 x Make contact (2NO)  
**CD5** 1 Break + 1 Make (1NC+1NO)  
**CD6** 1 Make + 1 Break (1NO+1NC)  
**CD7** SPDT  
**CD8** DPDT  
**CI1** Break contact (1NC)  
**CI2** Make contact (1NO)  
**CI3** 2 x Break contact (2NC)  
**CI4** 2 x Make contact (2NO)  
**CI5** 1 Break + 1 Make (1NC+1NO)  
**CI6** 1 Make + 1 Break (1NO+1NC)  
**CI9** Booster relay for current up to 5A

CS1

7. OTHER OPTIONS

**GW** Maximum reading pointer  
**RA** Rubber parts, Viton  
**TA** 5 - point calibration certificate  
**TC** Material test certificate 3.1  
**TM** Material test certificate 2.2  
**XF** SS tag plate, AISI 304 SS  
**XG** SS tag plate, AISI 316 SS  
**XR** Custom designed dial  
**XT** Dial tag marking

XX

Ordering Example : P702-04-XXX-B0-T96-ER-EB

ELECTRIC CONTACT DETAILS				
Switch type	Contacts	Action	Rating	Code
Normally closed (1NC)	Single	Break contact	230VAC/1A; 48VDC/0.5A	CS1 / CD1
Normally open (1NO)	Single	Make contact	230VAC/1A; 48VDC/0.5A	CS2 / CD2
Normally closed (2NC)	Double	Break contact	230VAC/1A; 48VDC/0.5A	CS3 / CD3
Normally open (2NO)	Double	Make contact	230VAC/1A; 48VDC/0.5A	CS4 / CD4
Normally closed + Normally open (1NC+1NO)	Double	Break contact + Make contact	230VAC/1A; 48VDC/0.5A	CS5 / CD5
Normally open + Normally closed (1NO+1NC)	Double	Make contact + Brake contact	230VAC/1A; 48VDC/0.5A	CS6 / CD6
SPDT	Single		230VAC/1A; 48VDC/0.5A	CD7
DPDT	Double		230VAC/1A; 48VDC/0.5A	CD8
Normally closed (1NC)	Single	Break contact	220VAC/0.4A	CI1
Normally open (1NO)	Single	Make contact	220VAC/0.4A	CI2
Normally closed (2NC)	Double	Break contact	220VAC/0.4A	CI3
Normally open (2NO)	Double	Make contact	220VAC/0.4A	CI4
Normally closed + Normally open (1NC+1NO)	Double	Break contact + Make contact	220VAC/0.4A	CI5
Normally open + Normally closed (1NO+1NC)	Double	Make contact + Brake contact	220VAC/0.4A	CI6

NOTES

- For other connections, please contact factory.
- Rubber parts shall be in Viton.
- Codes starts with "CS / CD" denomination are magnetic contacts and "CI" are Inductive contacts.
- Type 'CS' contacts are single insulated and economic contacts & 'CD' are double insulated and precision contacts.
- Inductive contacts are ATEX approved.