

FEATURES

- All SS measuring system
- Socket-case, direct welded
- Dry / liquid filled

APPLICATION

- Food & Beverages
- Chemical & Petrochemical
- Corrosive environments
- Liquid & gaseous mediums

Bourdon Tube, ≤ DN100



STANDARD PARAMETERS

Accuracy	: CL 1.6 (DN63 / DN80 / DN100) & CL 2.5 (DN50)
Ambient temperature	: -40...+65°C (without dampening liquid)
	: -20...+65°C (with dampening liquid)
Service temperature	: 300°C max.
Pressure limits	: Steady pressure up to FS value
	: Fluctuating pressure up to 90% of FS value
	: Short time 1.3 x FS value for range up to 100 bar
	: Short time 1.15 x FS value for range above 100 bar
Weld joints	: TIG argon arc welding

MATERIAL OF CONSTRUCTION

Sensing element	: Bourdon Tube (≤ 100 bar : C - type , > 100 bar : Helical)
Case & Ring material	: AISI 304 SS (Bayonet type)
Bourdon tube & Shank	: AISI 316L SS (Shank welded directly to case)
Movement mechanism	: AISI 304 SS
Dial	: Aluminum, black graduation on white background
Pointer	: Fixed, aluminum, black powder coated
Gaskets, Blow off disc & filling plug	: Neoprene / NBR
Window	: Plexi glass

STANDARD SPECIFICATIONS

Dial size	: DN50 / DN63 / DN80 / DN100
Range	: -1...400 bar (DN50), -1...1,000 bar (DN 63 / DN80 / DN100)
Mounting pattern	: Direct, Bottom connection
Process connection	: 1/4" NPT (M) / 1/4" BSP (M)
Ingress protection	: IP 54 / IP 65
Execution	: Dry / Dry but fillable

STANDARD SPECIFICATIONS : DAMPENING LIQUID FILLED, GLYCERIN

Window	: Plexi glass
Dampening liquid	: Glycerin 99.7% [Service temperature up to 65°C]

TEMPERATURE EFFECT

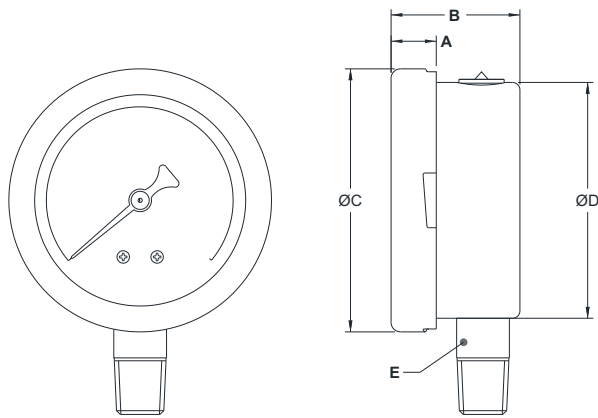
When temperature of the measuring system deviates from reference temperature (+20°C) max error ±0.4% / 10K of true scale value.

REFERENCE

EN 837-1

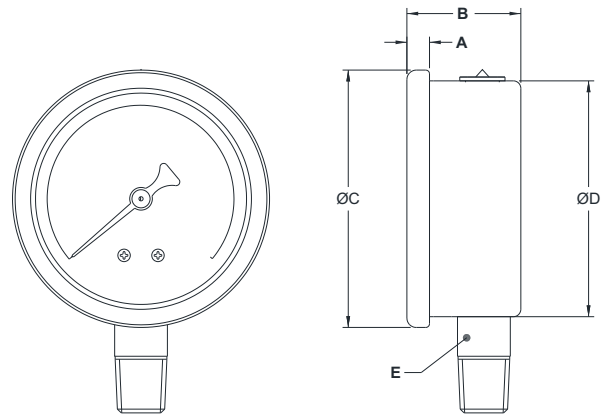
DIMENSIONAL DRAWING

Type B0 (Bayonet ring)



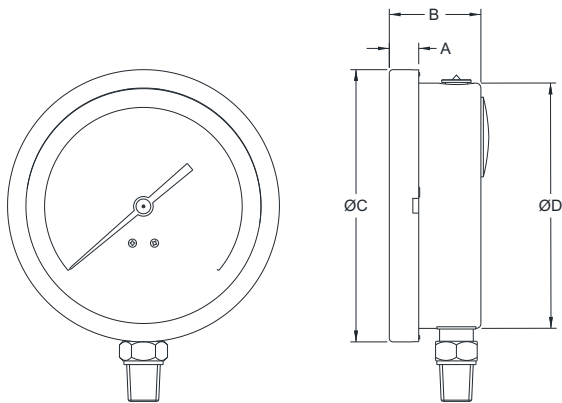
DN	A	B	ØC	ØD	E	Weight (grams)
50	9	34	58.5	52	SQ.14	120
63	12	33	69.7	62.5	SQ.14	209

Type B0 (Rolling ring)



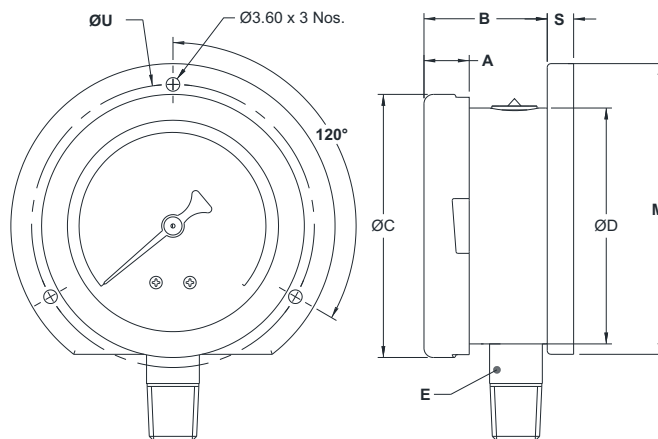
DN	A	B	ØC	ØD	E	Weight (grams)
50	5	32.5	57.5	51.5	SQ.14	110
63	5	31.5	68	62.5	SQ.14	189

Type B0 (Bayonet ring)



DN	A	B	ØC	ØD	E	Weight (grams)
80	9.5	33.5	89.5	80	A/F14	450
100	12	38	111	100	A/F14	500

Type B1 (Bayonet ring)

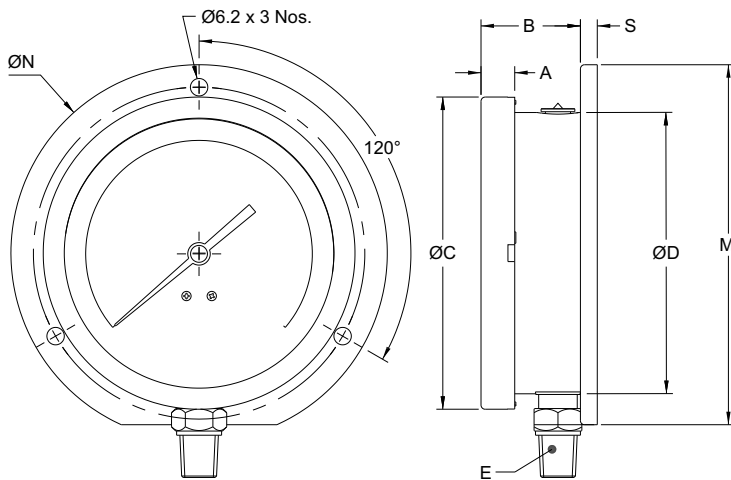


DN	A	B	ØC	ØD	E	ØN	ØU	M	S	Weight (grams)
63	12	33	69.7	62.5	SQ.14	86	75	77	7	254

All dimensions are in mm.

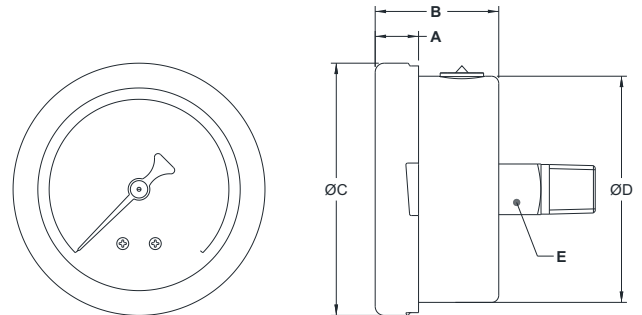
DIMENSIONAL DRAWING

Type B1 (Bayonet ring)



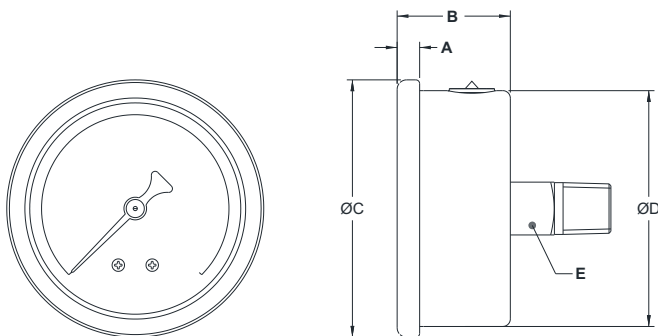
DN	A	B	ØC	ØD	E	ØN	ØU	M	S	Weight (grams)
100	12	38	111	100	A/F14	134	118	128	6	607

Type R0 (Bayonet ring)



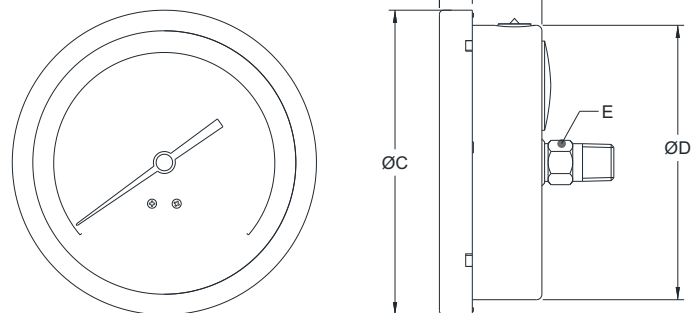
DN	A	B	ØC	ØD	E	Weight (grams)
50	9	34	58.5	52	SQ.14	120
63	12	33	69.7	62.5	SQ.14	209

Type R0 (Rolling ring)



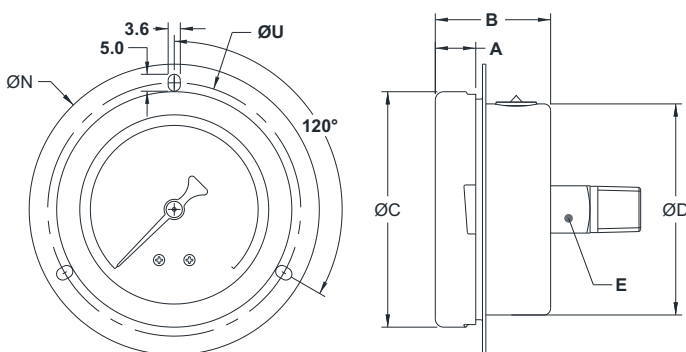
DN	A	B	ØC	ØD	E	Weight (grams)
50	5	32.5	57.5	51.5	SQ.14	110
63	5	31.5	68	62.5	SQ.14	189

Type R0 (Bayonet ring)



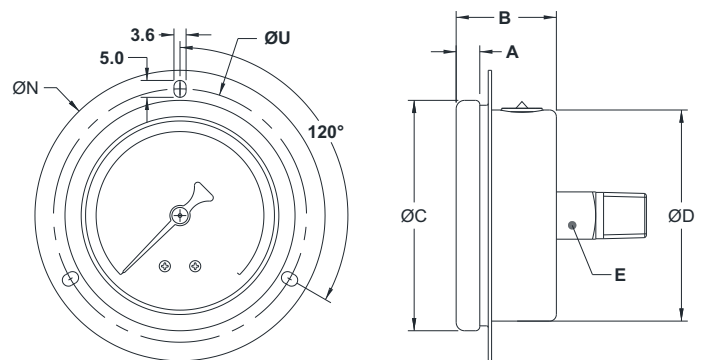
DN	A	B	ØC	ØD	E	Weight (grams)
80	9.5	33.5	89.5	80	A/F14	450
100	12	38	111	100	A/F14	500

Type R2 (Bayonet ring)



DN	A	B	ØC	ØD	E	ØN	ØU	Weight (grams)
63	12	33	69.7	62.5	SQ.14	86	75	240

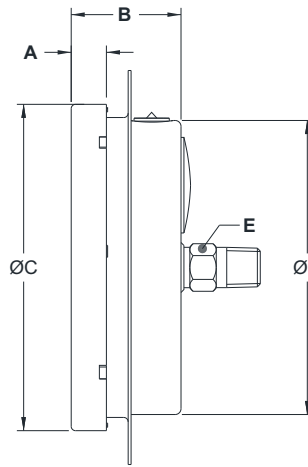
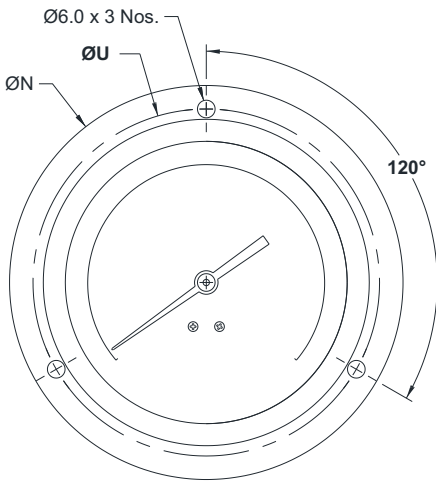
Type R2 (Rolling ring)



DN	A	B	ØC	ØD	E	ØN	ØU	Weight (grams)
63	5	31.5	68	62.5	SQ.14	86	75	189

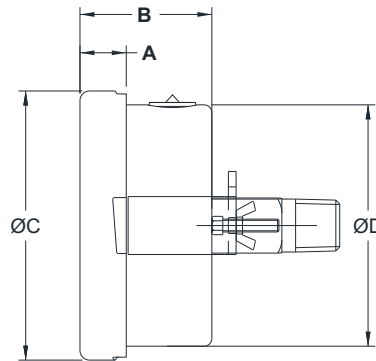
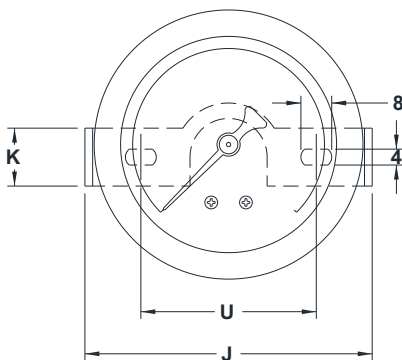
DIMENSIONAL DRAWING

Type R2 (Bayonet ring)



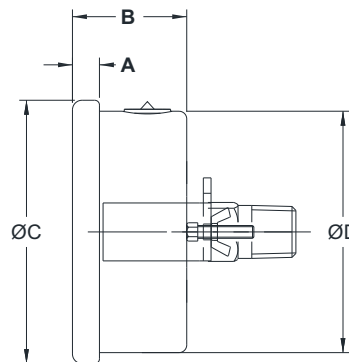
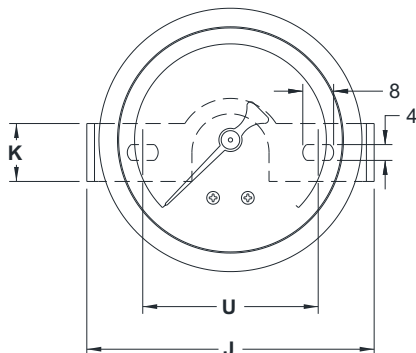
DN	A	B	ØC	ØD	E	ØN	ØU	Weight (grams)
100	12	38	111	100	A/F 14	134	118	574

Type R3 (Bayonet ring)



DN	A	B	ØC	ØD	E	U	J	K	Weight (grams)
50	9	34	58.5	51	SQ. 14	70.5	91	38	163
63	12	33	69.7	62.5	SQ.14	70.5	91	38	254

Type R3 (Rolling ring)

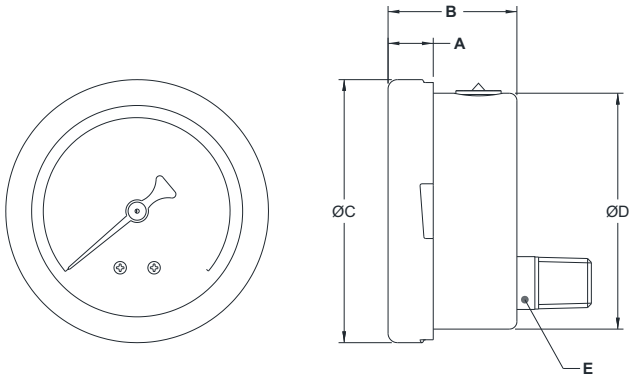


DN	A	B	ØC	ØD	E	U	J	K	Weight (grams)
50	9	34	58.5	51	SQ. 14	70.5	91	38	163
63	12	33	69.7	62.5	SQ.14	70.5	91	38	254

All dimensions are in mm.

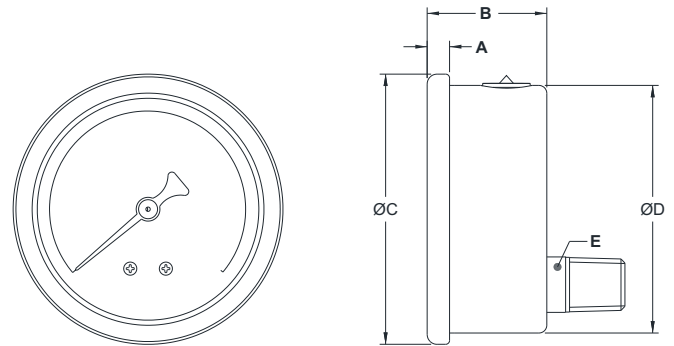
DIMENSIONAL DRAWING

Type L0 (Bayonet ring)



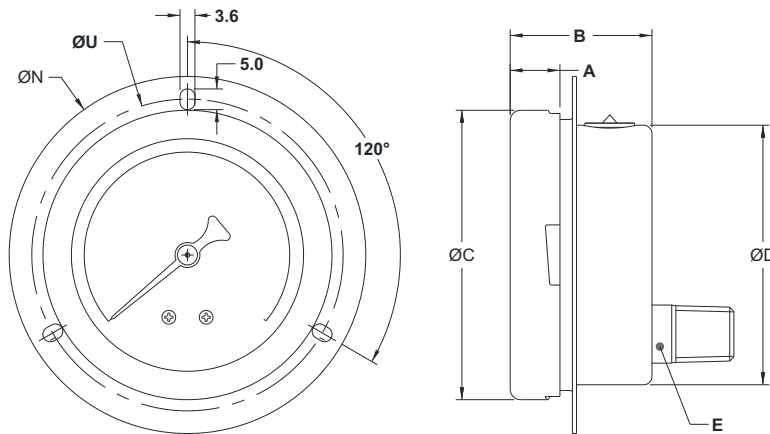
DN	A	B	ØC	ØD	E	Weight (grams)
63	12	33	69.7	62.5	SQ.14	209

Type L0 (Rolling ring)



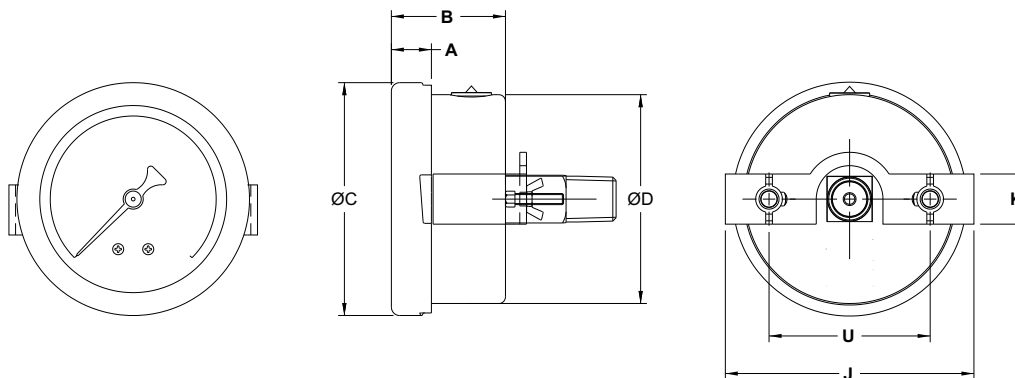
DN	A	B	ØC	ØD	E	Weight (grams)
63	5	31.5	68	62.5	SQ.14	189

Type L1 (Bayonet ring)



DN	A	B	ØC	ØD	E	ØN	ØU	Weight (grams)
63	12	33	69.7	62.5	SQ.14	86	75	240

Type L2 (Bayonet ring)



DN	A	B	ØC	ØD	E	U	J	K	Weight (grams)
50	9	34	58.5	51	SQ.14	45.5	74.5	15	163
63	12	33	69.7	62.5	SQ.14	45.5	74.5	15	254

All dimensions are in mm.

NOTES

1. DN80, DN100 mounted through adaptors to the case.

ORDERING CODES

1. DIAL SIZE

02	50 mm / 2"
25	63 mm / 2½"
03	80 mm / 3"
04	100 mm / 4"

25

2. RANGE

XXX Refer "Range Table"

XXX

3. MOUNTING PATTERN

B0	Direct, Bottom connection
B1	Wall/Surface/Projection mounting, Bottom connection
R0	Centre, Back connection
R2	Panel/Front flange mounting, Centre Back connection
R3	Panel/bracket mounting, Centre Back connection
L0	Lower, Back connection
L1	Panel/Front flange mounting, Lower Back connection
L2	Panel/bracket mounting, Centre Back connection

B0

4. PROCESS CONNECTION

11N	1/8" NPT (M)
12N	¼" NPT (M)
14N	½" NPT (M)
11B	1/8" BSP (M)
12B	¼" BSP (M)
13B	3/8" BSP (M)
14B	½" BSP (M)
14M	M20x1.5 mm (M)

12N

5. INGRESS PROTECTION

ER	IP 65
ES	IP 66
ET	IP 67

ER

6. EXECUTION

EA	Dry ²
EB	Dry but fillable
EG	Dampening liquid filled, glycerine
EH	Dampening liquid filled, silicon oil

EB

7. OTHER OPTIONS

BA	Case & Ring in AISI 316 SS (B0)
BB	Case & Ring in AISI 316 SS (B1)
BG	Case & Ring in AISI 316 SS (R0)
BI	Case & Ring in AISI 316 SS (R2)
BJ	Case & Ring in AISI 316 SS (R3)
BK	Case & Ring in AISI 316 SS (L0)
BL	Case & Ring in AISI 316 SS (L1)
BM	Case & Ring in AISI 316 SS (L2)
EN	Dampening screw, AISI 316 SS
GC	Shatterproof safety glass
GD	Toughened glass
GW	Maximum Reading pointer (MRP)
G9	Freon scale
N9	Dial with Ammonia temperature scale
RA	Rubber parts, Viton
RW	Vent plug, ON-OFF type
TA	5 - point calibration certificate
TL	Helium leak testing
TM	Material test certificate 2.2
TO	Certification for Oxygen service
TP	Performance test
XF	SS tag plate, AISI 304 SS
XG	SS tag plate, AISI 316 SS
XO	Rolling type case & ring
XR	Custom designed dial
XT	Dial tag marking
E7	Two-piece construction

XX

Ordering Example : P103-25-XXX-B0-12N-ER-EB

NOTES

- For other connections, please contact factory.
- Available with Ingress Protection IP 54 (Dust Proof) only.

www.contromat.com

info@contromat.com | +972-3-9744044

