

FEATURES

- Rugged construction
- Stainless steel case
- Dry / liquid filled

APPLICATION

- Hydraulic & pneumatic
- Pumps & compressors
- Diesel engines
- Water applications

Economical



STANDARD PARAMETERS

Accuracy	:	CL 1.6
Ambient temperature	:	-40...+65°C (without dampening liquid)
	:	-20...+65°C (with dampening liquid)
Service temperature	:	150°C max.
Pressure limits	:	Steady pressure up to 75% of FS value
	:	Short time 1.3 x FS value for range up to 100 bar
	:	Short time 1.15 x FS value for ranges 100 up to 600 bar
	:	Short time 1.1 x FS value for ranges above 600 bar
Joints	:	Silver alloy brazing / soldering

MATERIAL OF CONSTRUCTION

Sensing element	:	Bourdon Tube (≤ 100 bar : C - type , > 100 bar : Helical)
Case & Ring material	:	AISI 304 SS (Bayonet type)
Bourdon tube & Shank	:	Phosphor Bronze
Movement mechanism	:	Copper Alloy
Dial	:	Aluminum, black graduation on white background
Pointer	:	Fixed, aluminum, black powder coated
Gaskets & filling plug	:	Silicon gasket & Neoprene filling plug
Window	:	Plexi glass

STANDARD SPECIFICATIONS

Dial size	:	DN50 / DN63 / DN80 / DN100
Range	:	-1...400 bar (DN50), -1...1,000 bar (DN63/DN80/DN100)
Mounting pattern	:	Direct, Bottom connection
Process connection	:	1/4" NPT (M)
Ingress protection	:	IP 65
Execution	:	Dry but fillable, glycerin

STANDARD SPECIFICATIONS : DAMPENING LIQUID FILLED, GLYCERIN

Window	:	Safety glass
Dampening liquid	:	Glycerin 99.7% [Service temperature up to 65°C]

TEMPERATURE EFFECT

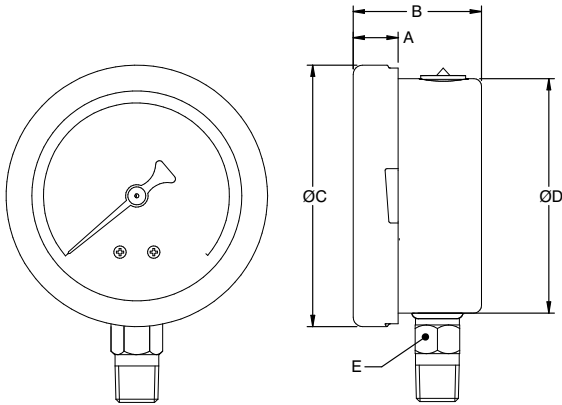
When temperature of the measuring system deviates from reference temperature (+20°C) max error $\pm 0.4\%$ / 10K of true scale value.

REFERENCE

EN 837-1

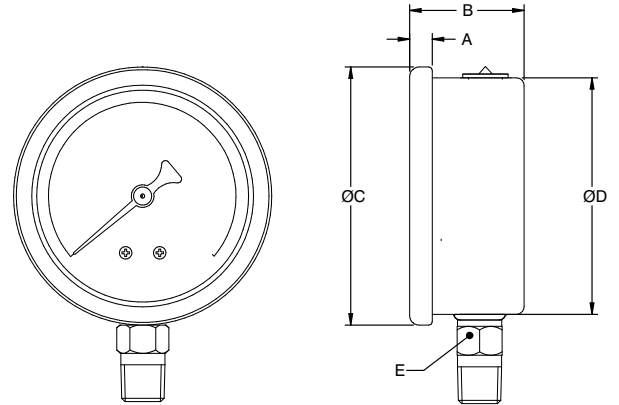
DIMENSIONAL DRAWING

Type B0, (Bayonet ring)



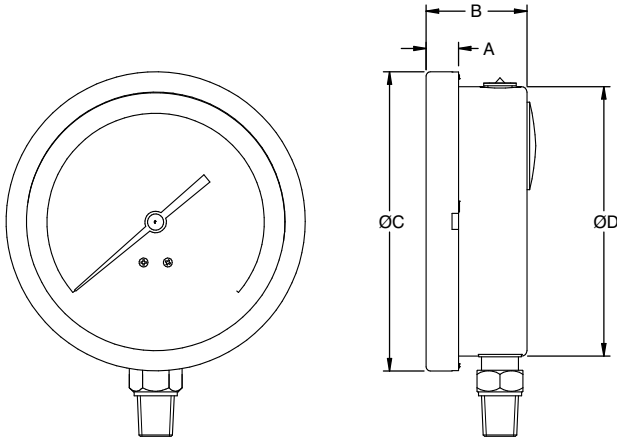
DN	A	B	ØC	ØD	E	Weight (grams)
50	9	34	58.5	51	A/F14	130
63	12	33	69.7	62.5	A/F14	250

Type B0, (Rolling ring)



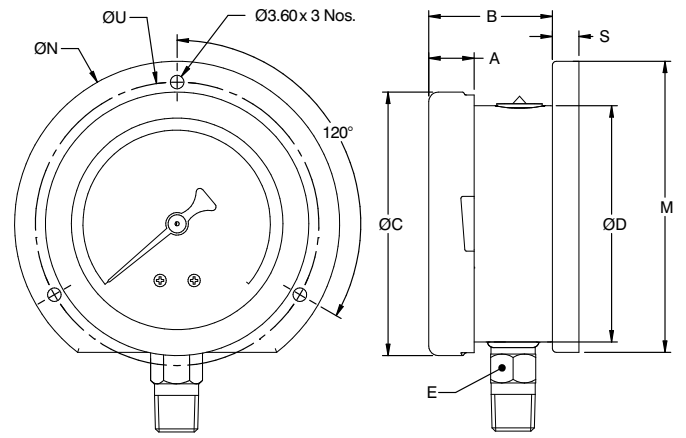
DN	A	B	ØC	ØD	E	Weight (grams)
50	5	32.5	57.5	51.5	A/F14	120
63	5	31.5	68	62.5	A/F14	240

Type B0, (Bayonet ring)



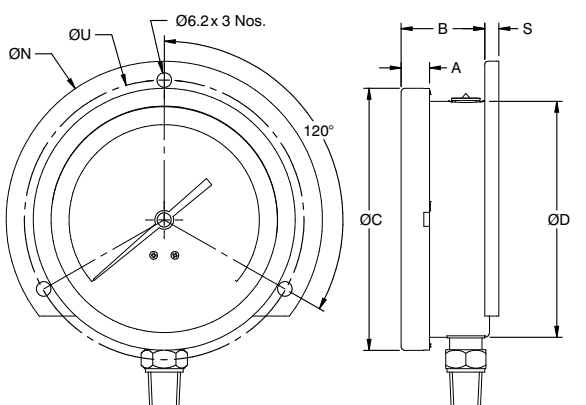
DN	A	B	ØC	ØD	E	Weight (grams)
80	9.5	33.5	89.5	80	A/F 14	328
100	12	38	111	100	A/F 14	398

Type B1, (Bayonet ring)



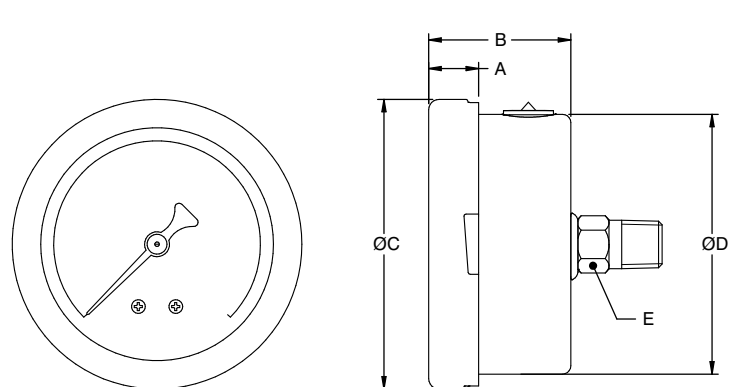
DN	A	B	ØC	ØD	E	ØN	ØU	M	S	Weight (grams)
63	12	33	69.7	62.5	A/F14	86	75	77	7	294

Type B1, (Bayonet ring)



DN	A	B	ØC	ØD	E	ØN	ØU	Weight (grams)
100	12	38	111	100	A/F 14	134	118	472

Type R0, (Bayonet ring)

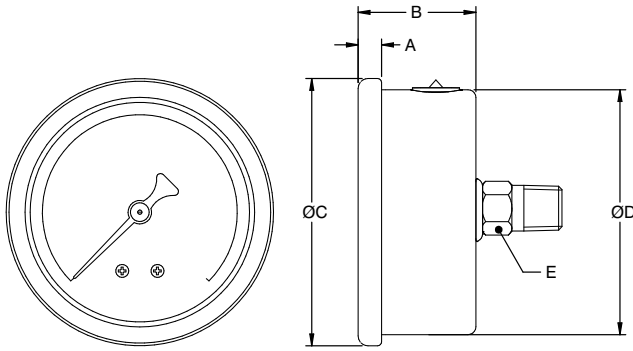


DN	A	B	ØC	ØD	E	Weight (grams)
50	9	34	58.5	51	A/F14	130
63	12	33	69.7	62.5	A/F14	250

All dimensions are in mm.

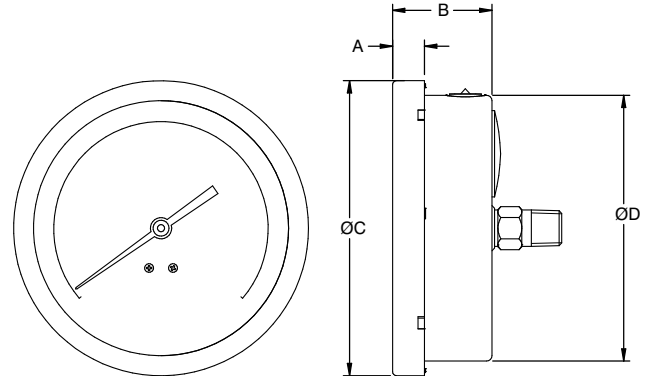
DIMENSIONAL DRAWING

Type R0, (Rolling ring)



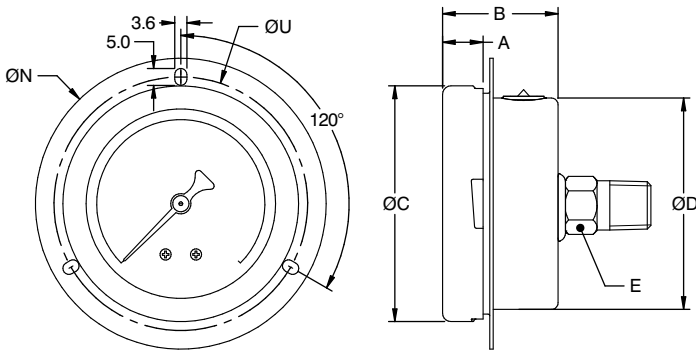
DN	A	B	ØC	ØD	E	Weight (grams)
50	5	33.5	57.5	51.5	A/F14	120
63	5	31.5	68	62.5	A/F14	240

Type R0, (Bayonet ring)



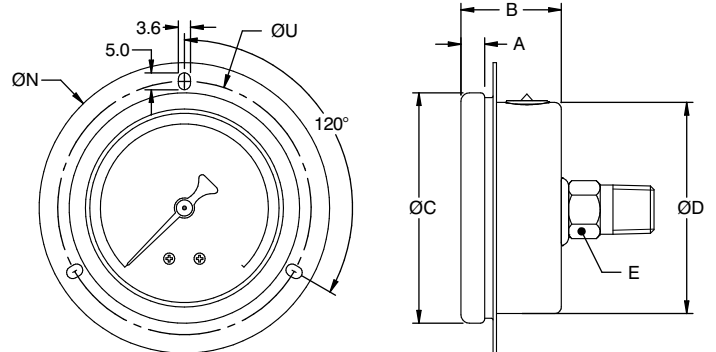
DN	A	B	ØC	ØD	E	Weight (grams)
80	9.5	33.5	89.5	80	A/F 14	328
100	12	38	111	100	A/F 14	398

Type R2, (Bayonet ring)



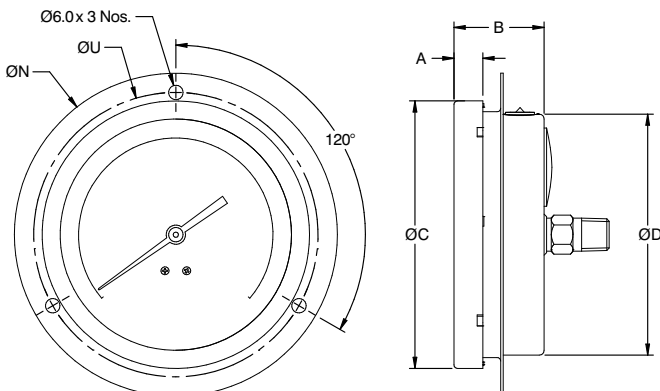
DN	A	B	ØC	ØD	E	ØN	ØU	Weight (grams)
63	12	33	69.7	62.5	A/F14	86	75	280

Type R2, (Rolling ring)



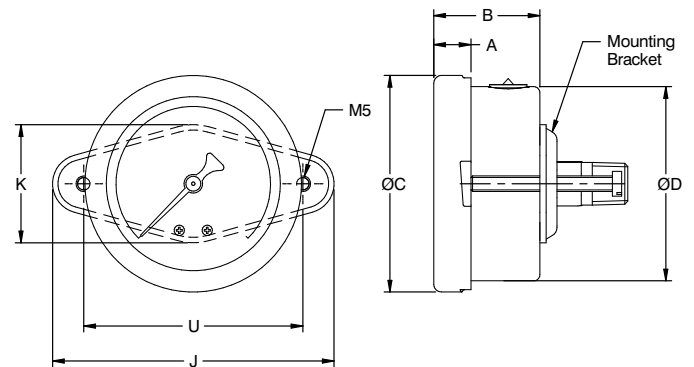
DN	A	B	ØC	ØD	E	ØN	ØU	Weight (grams)
63	5	31.5	68	62.5	A/F14	86	75	270

Type R2, (Bayonet ring)



DN	A	B	ØC	ØD	E	ØN	ØU	M	Weight (grams)
100	12	38	111	100	A/F 14	134	118	128	505

Type R3, (Bayonet ring)

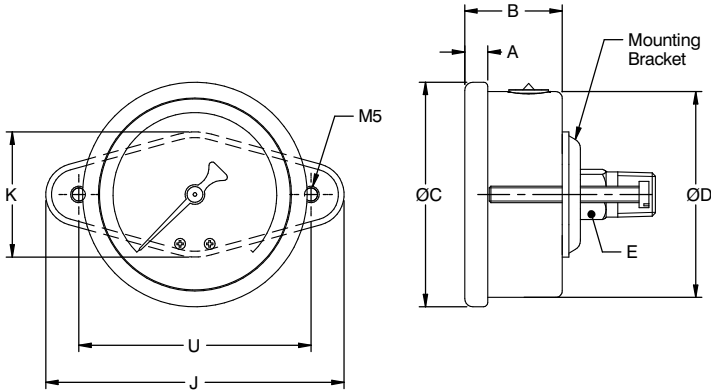


DN	A	B	ØC	ØD	E	ØU	J	K	Weight (grams)
50	9	34	58.5	51	A/F14	70.5	91	38	153
63	12	33	69.7	62.5	A/F14	70.5	91	38	275

All dimensions are in mm.

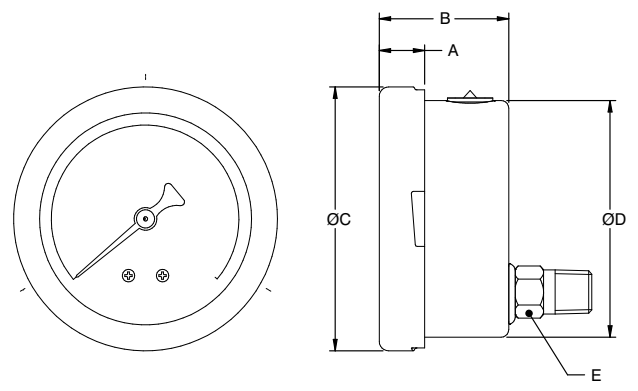
DIMENSIONAL DRAWING

Type R3, (Rolling ring)



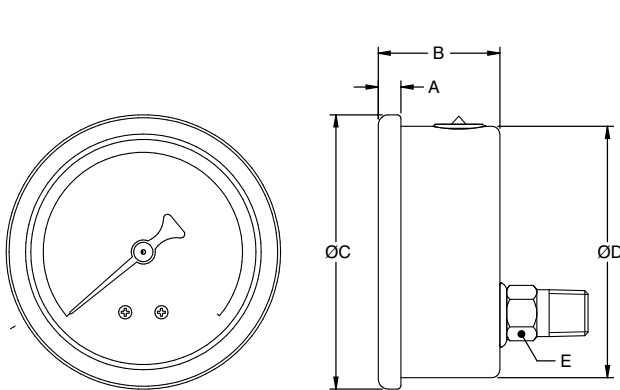
DN	A	B	ØC	ØD	E	U	J	K	Weight (grams)
50	5	33.5	57.5	51.5	A/F14	70.5	91	38	153
63	5	31.5	68	62.5	A/F15	70.5	91	38	274

Type L0, (Bayonet ring)



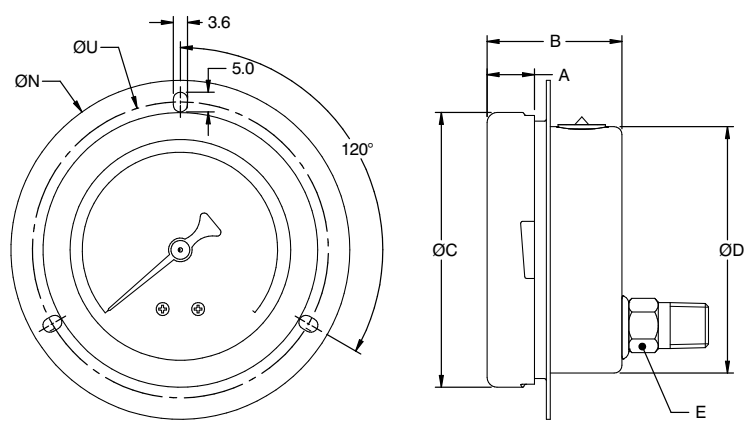
DN	A	B	ØC	ØD	E	Weight (grams)
63	12	33	69.7	62.5	A/F14	250

Type L0, (Rolling ring)



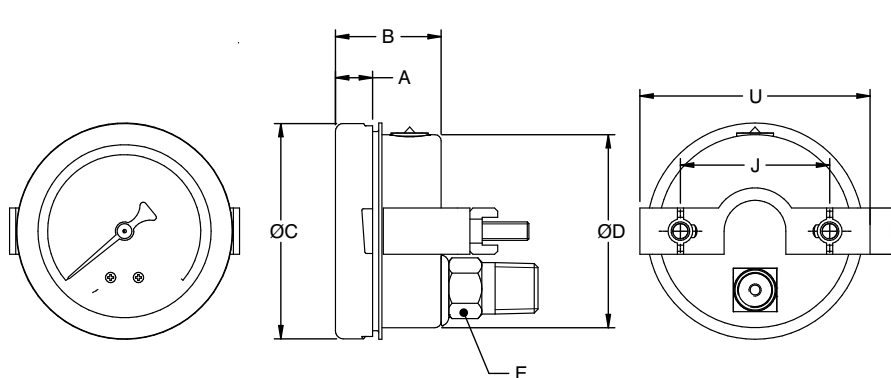
DN	A	B	ØC	ØD	E	Weight (grams)
63	5	31.5	69.7	62.5	A/F14	240

Type L1, (Bayonet ring)



DN	A	B	ØC	ØD	E	ØN	ØU	Weight (grams)
63	12	33	69.7	62.5	A/F14	86	75	280

Type L2, (Bayonet ring)



DN	A	B	ØC	ØD	E	U	J	K	Weight (grams)
63	12	33	69.7	62.5	A/F14	74.5	45.5	15	405

All dimensions are in mm.

ORDERING CODES

1. DIAL SIZE		25	5. INGRESS PROTECTION		ER
02	50 mm / 2"		ER	IP 65	
25	63 mm / 2½"		ES	IP 66	
03	80 mm / 3"		ET	IP 67	
04	100 mm / 4"				
2. RANGE		XXX	6. EXECUTION		EB
XXX	Refer "Range Table"		EA	Dry	
		EB	Dry but fillable, glycerine		
			EG	Dampening liquid filled, glycerine	
3. MOUNTING PATTERN		B0	7. OTHER OPTIONS		XX
B0	Direct, Bottom connection		EO	Dampening screw, Cu Alloy	
B1	Wall/Surface/Projection mounting, Bottom connection		EZ	Pointer stop on dial	
R0	Centre, Back connection		GC	Shatterproof safety glass	
R2	Panel/Front flange mounting, Centre Back connection		GM	Dampened movement	
R3	Panel/bracket mounting, Centre Back connection		XR	Custom designed dial	
L0	Lower, Back connection		XT	Dial tag marking	
L1	Panel/Front flange mounting, Lower Back connection		TA	5 - point calibration certificate	
L2	Panel/bracket mounting, Lower Back connection		G9	With Freon temperature scales	
4. PROCESS CONNECTION		12N			
11N	1/8" NPT (M)				
12N	¼" NPT (M)				
14N	½" NPT (M)				
11B	1/8" BSP (M)				
12B	¼" BSP (M)				
13B	3/8" BSP (M)				
14B	½" BSP (M)				

Ordering Example : P902-25-XXX-B0-12N-ER-EB

NOTES

1. For other connections, please contact factory.